



# QUARTER-TURN CYLINDER LOCK 18 MM

Quarter-turn cylinder lock that has universal clockwise or counter-clockwise rotation when opening or closing. Protection degree IP54.

For cams that rotates 90°, the key can be removed in the locked position. For cams that rotates 180°, the key can be removed in both open and locked position.



## MATERIAL

**Cam and screw:** Steel, zinc plated

**Housing:** Zinc die cast, chrome plated or black powder coated

**Cylinder:** Zinc die cast, stainless steel 304 cap

**Nut:** Zinc die cast, zinc plated

## RELATED PRODUCTS

**Cams:** 2-481, 2-480

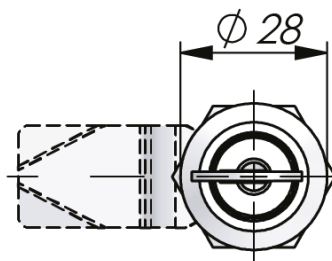
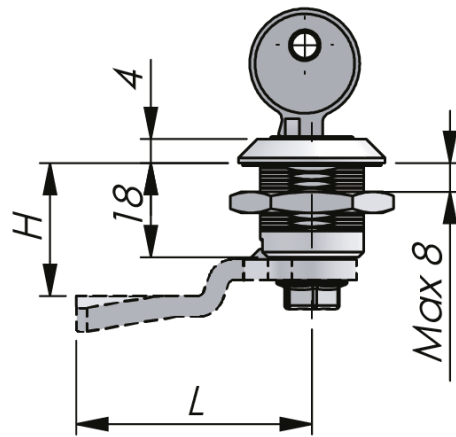
Use the Index Code at [industrilas.com](http://industrilas.com)

## TECHNICAL INFORMATION

**Cutout:** COMBI

**Cylinder information:** Master key system on request, Supplied with two keys

**Standards:** IP54



**Industrilas**  
— When access counts —

**Make your selections in each column to create your article number (AAAAAA-BBB-HHLL)**

AAAAAA	Surface treatment	Cylinder	Nut	BBB	Cam rotation	HHLL	H/L in mm
241334	Chrome	Keyed alike IL101	Standard	000	No cam	0000	No cam
241534	Black	Keyed alike IL101	Standard	180	180°	0445	4 / 45
241335	Chrome	Keyed alike IL101	Earthing nut	090	90°	0645	6 / 45
241535	Black	Keyed alike IL101	Earthing nut			0845	8 / 45
241336	Chrome	Keyed to differ	Standard			1045	10 / 45
241536	Black	Keyed to differ	Standard			1245	12 / 45
241337	Chrome	Keyed to differ	Earthing nut			1445	14 / 45
241539	Black	Keyed to differ	Earthing nut			1645	16 / 45
						1845	18 / 45
						2045	20 / 45
						2245	22 / 45
						2445	24 / 45
						2645	26 / 45
						2845	28 / 45
						3045	30 / 45
						3245	32 / 45
						3445	34 / 45
						3645	36 / 45
						3845	38 / 45
						4045	40 / 45
						4245	42 / 45
						4445	44 / 45
						4645	46 / 45
						4845	48 / 45
						5045	50 / 45

\* Master key systems are supplied on request only.

